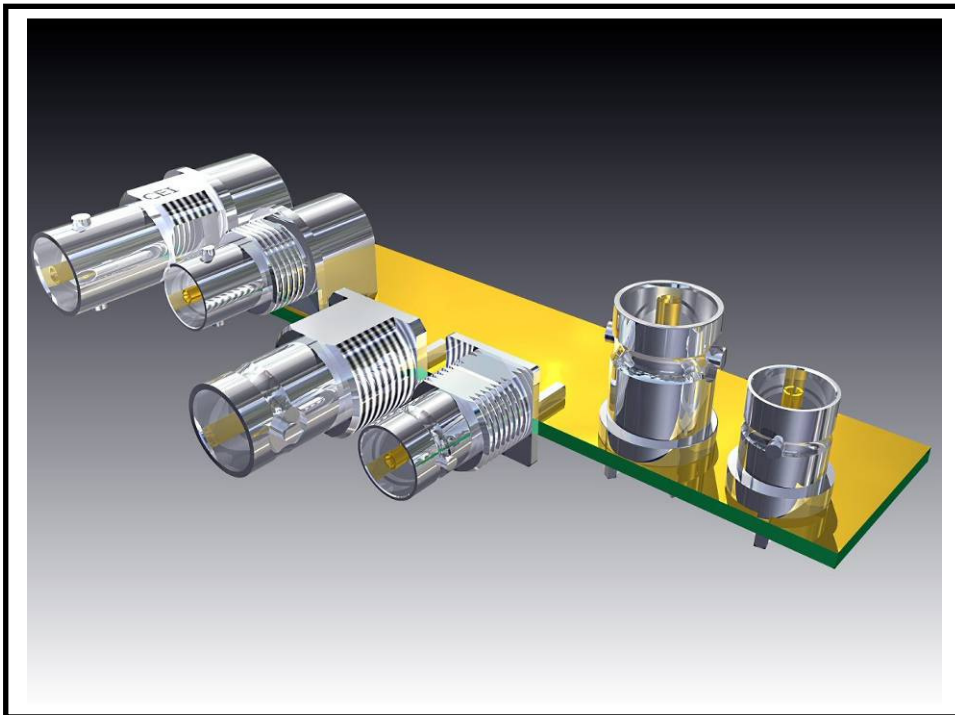


New Product Press Release - for immediate release. 13/11/2009

Cambridge Connectors new True 75 ohm Mini-BNC saves space in high speed Video Networks.

This new range of true 75 ohm Mini-BNC connectors, engineered by Cambridge Connectors to meet 3G SDI Video requirements, can increase wiring densities by up to a third. With a pitch of 12 mm compared to the standard BNC pitch of 16mm the range is ideal for routing and switching equipment used extensively in video transmission networks. The smaller size and weight make it the logical option for outside broadcast and similar confined or portable environments. A choice of straight, right angle and PCB edge mounting styles is available with the additional option of a 2 part version offering the opportunity for PCB hot-swapping. Reflection Factors (VSWR) range between 1.04 at 1.5GHz and 1.16 at 3GHz (depending on configuration) With an operating temperature range of -65 to +85°C and contact mating cycle of 500, the range is fully RoHS compliant and comes with a standard finish of Brass / Nickel.



Picture shows size comparison between BNC and Mini-BNC connectors

For further information contact
Stephen Smith
Cambridge Electronic Industries Ltd.
Stephens@cambridgeelectronics.com
T: 01223 860041
F: 01223 863625