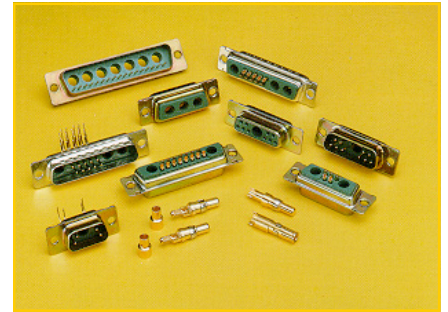


Mixed Layout Connectors

Description:

The mixed layout series is available in the same shell sizes as the D Subminiature series and enables signal, high voltage, high power and co-axial contacts to be combined in the same connector. Contacts are available in solder bucket, straight, right angle, PCB mount and press-fit styles. Crimp contact versions are also available.






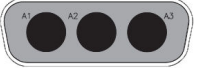

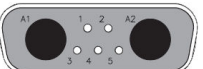
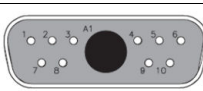




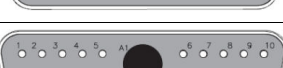
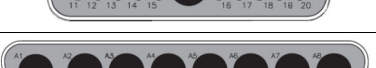

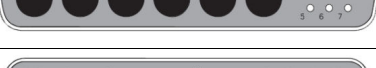



Mechanical Data	Mating Force per signal contact:	$\leq 3,4$ N
	Extraction Force:	$\geq 0,2$ N
	Temperature Range:	-55°C to 155°C
	Mating Cycles:	Standard: ≥ 500

Materials and Platings

Insulator:	Thermoplastic; glass filled (UL94V-O)
Shell:	Steel
Shell Plating:	Yellow chromate over zinc plating or tin plated over nickel
Contact Material:	Cu alloy
Contact Plating:	Standard: 0.8 microns gold over nickel other platings available on request

Electrical Data	Current Rating: (Signal Contacts)	5A
	Test Voltage (effective value) between 2 contacts/shell and contact:	1000V, 50 Hz, 1 min.
	Resistance between mated contacts:	$\leq 2,7$ M ohm (MIL-C-24308)
	Insulation Resistance (pair of contacts):	> 5000 M ohm
	Volume Resistivity:	10^{16} ohm cm
	Dielectric Strength:	50 kV / mm

Contact Arrangements

SHELL SIZE	CONTACT FORMAT	LAYOUT	AVAILABILITY	
			*STANDARD	CRIMP
1	1W1		NO	YES
				
1	2W2C		YES	NO
2	3W3		YES	NO
2	3W3C		YES	NO
2	7W2		YES	YES
2	11W1		YES	YES
3	5W5		YES	NO
3	9W4		YES	YES
3	13W3		YES	YES
3	17W2		YES	YES
3	21W1		YES	YES
4	8W8		YES	NO
4	13W6		YES	YES
4	17W5		YES	YES
4	21WA4		YES	YES
4	25W3		YES	YES
4	27W2		YES	YES

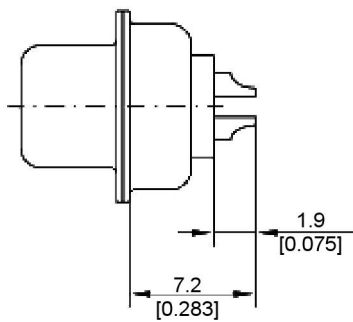
* Standard contacts non-removable

Contact Arrangements

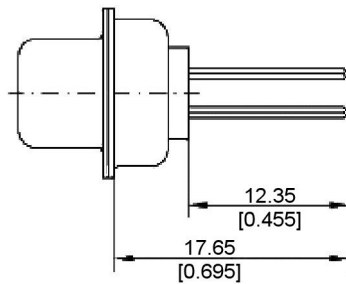
SHELL SIZE	CONTACT FORMAT	LAYOUT	AVAILABILITY	
			*STANDARD	CRIMP
5	24W7		YES	YES
5	36W4		YES	YES
5	43W2		YES	YES
5	47W1		YES	YES

Standard Signal Contacts

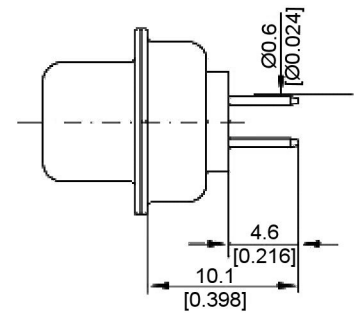
Signal contacts are available in the following styles:-



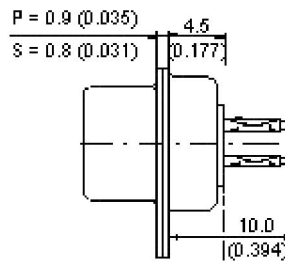
Solder Bucket



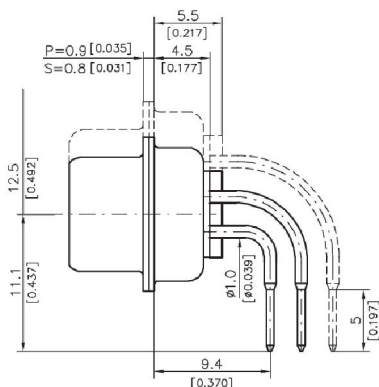
Wire Wrap



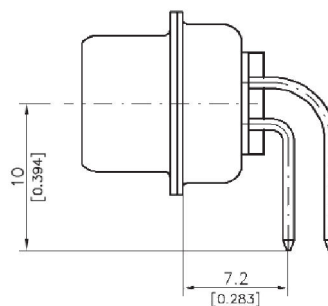
Printed Circuit



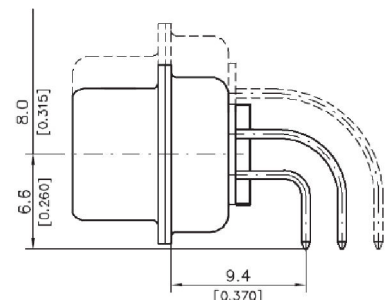
Non-compliant Press Fit



Rt. Angle PCB Mounting
2.54mm spacing



Rt. Angle PCB Mounting
2.84mm spacing



Rt. Angle PCB Mounting
2.54mm spacing (short)